

0CW10-M79200EN

# P R E F A C E

1. This parts catalog is the 1st edition of L48N5SF1F1EARS for EP BARRUS.

Pub.No. : 0CW10-G79200

Published : November, 2012

2. Model name

Engine model	Vehicle	Vehicle made by
L48N5SF1F1EARS	PUMP	EP BARRUS

## Directions for the Parts Catalog.

1. This Parts Catalog shows both standard and optional parts.
2. Parts may change without prior notice.
3. The following is an example of the Parts Catalog format.

REF.	LEV.	PARTS NO.	DESCRIPTION	Q'TY						I	R
				(A)	(B)	(C)	(D)	(E)	(F)		
1	1	729595-51390	FUEL INJECTION PUMP	1	1	1	1	1			1
1-1	1	729595-51391	FUEL INJECTION PUMP	1	1	1	1	1		N	1
		(A=E00185) (B=E00200)									
3	2	26022-060162	SCREW M 6X 16	9	9	9	9	9			
3-1	2	26022-060162	SCREW M 6X 16	4	4	4	4	4		K	
		(A=E00156) (B=E00156) (C=E00156) (D=E00156) (E=E00156)									
4	2	129470-51040	CAMSHAFT	1	1	1	1	1			
5	2	122710-51050	BEARING, ROLLER	2	2	2	2	2			
6	2	129470-51060	RETAINER	1	1	1	1	1			

Remarks
(1) BOOST COMPEMSATOR TYPE. OPTIONAL PART, TO E00155,(4JH-DT, 4JH-DTZ

### ① Ref. No.

The Ref. No. listed may not be in accordance with the illustration Ref. No.

(Ex.) Illustration No.

List Ref No.

1

1

(Before change)

1-1

(After change)

For interchangeable symbols N, R and K, illustrations for new parts may be abbreviated.

### ② Lev. (Level)

Level indication

The numbers below indicate the level of relativity towards the main part.

1 ----- Main parts (Assembly parts)

2 ----- Sub component included in " 1 ".

3 ----- Sub component included in " 2 ".

Note) Parts that are not for sale are partially illustrated but not listed.

### ③ Interchangeability Symbol

When a part change takes place, one of the following interchangeability symbols is indicated beside the part.

Symbol	Interchangeability	Contents note
N	Old $\begin{matrix} \leftarrow \text{Yes} \\ \text{No} \rightarrow \end{matrix}$ New	New Part is interchangeable for Old Part but Old Part is not interchangeable for New Part.
Q	Old $\begin{matrix} \leftarrow \text{No} \\ \text{Yes} \rightarrow \end{matrix}$ New	New Part is not interchangeable for Old Part but Old Part is interchangeable for New Part.
R	Old $\begin{matrix} \leftarrow \text{Yes} \\ \text{Yes} \rightarrow \end{matrix}$ New	New/ Old Parts are both interchangeable.
S	Old $\begin{matrix} \leftarrow \text{No} \\ \text{No} \rightarrow \end{matrix}$ New	New/ Old Parts are both not interchangeable.
W		Part newly added.
Z		Part discontinued.
F		Not interchangeable by a single part but interchangeable together with related parts.
K		Changes only for used parts quantities.

### ④ Effective Machine No.

When a part changes, the effective Machine No. will be indicated in the (A)-(F) column.

Product Symbol	Product No.	Product Symbol	Product No.
C	Clutch No. Compressor No.	F	Machine No. (Agricultural Equip.)
D	Drive No.	M	Machine No.
E	Engine No.		

Note 1) A date may follow the symbol. (Ex.) 1996.01

Note 2) "XXXXX" and "ZZZZZ" are for parts that could not be predicted or for engine models that could not be identified.

Note 3) (A=E00185) is the E (Engine Serial Number) for the column (A) model (in this case 4JH-DT) after the parts design change.

### ⑤ Remarks

Figures or alphabets (symbols) are entered in the remarks column.

The comments (remarks) on parts that are indicated at the bottom of the illustration are the same symbols as those stated above.

# Contents

Fig. No.    Fig. Name

L48N5SF1F1EARS

1. CYLINDER BLOCK
2. DRAIN PLUG
3. LABEL
4. CYLINDER HEAD & BONNET
5. INTAKE MANIHOLD
6. AIR CLEANER
7. EXHAUST MUFFLER
8. CAMSHAFT
9. CRANKSHAFT
10. FLYWHEEL
11. PISTON & CONNECTING ROD
12. BALANCER SHAFT
13. LUB.OIL PUMP & GOVERNOR
14. OIL PRESSURE SWITCH CAP
15. COVER
16. COOLING FAN CASE
17. F.I.PUMP & F.I.VALVE
18. SPEED CONTROL DEVICE
19. RECOIL STARTER
20. ACCESSORIES
21. TOOL & GASKET SET

Fig. No.    Fig. Name

Fig.1. CYLINDER BLOCK

(A)=L48N5SF1F1EARS

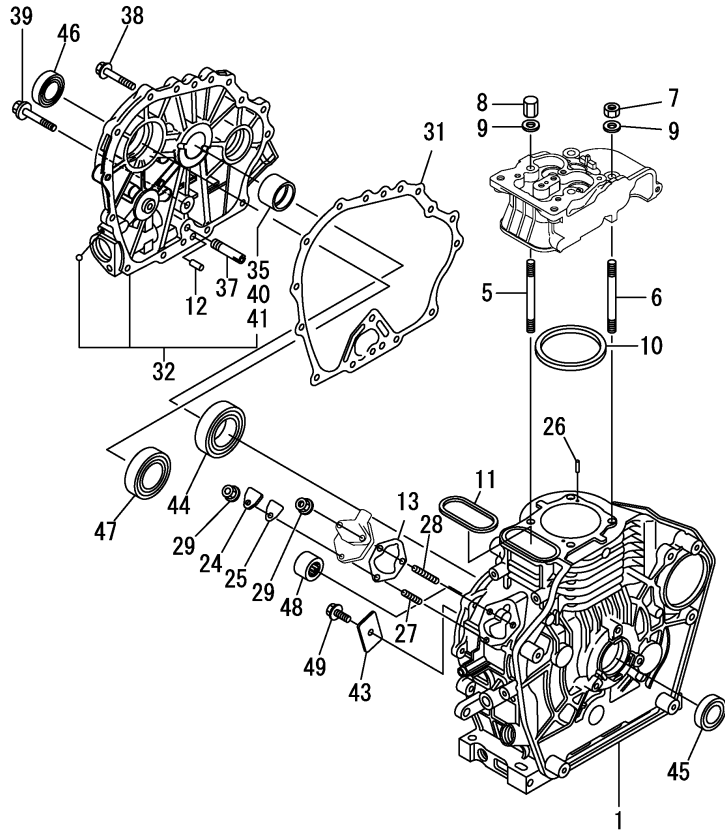
(B)=

(C)=

(D)=

(E)=

(F)=

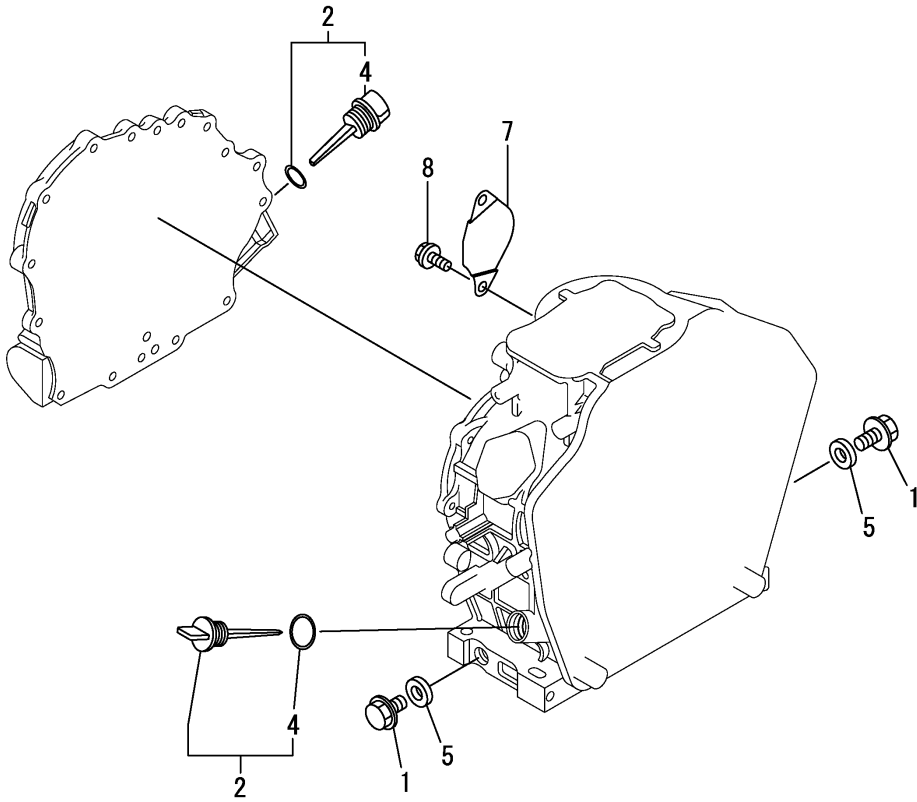


No.	Lev.	Parts No.	Description	Q'ty						I	R
				(A)	(B)	(C)	(D)	(E)	(F)		
1	1	11429C-01020	BLOCK ASSY, CYLINDER	1							
5	1	114299-01200	BOLT, HEAD	2							
6	1	114299-01210	BOLT, HEAD	2							
7	1	114299-01220	NUT, CYLINDER HEAD A	2							
8	1	114299-01230	NUT, CYLINDER HEAD B	2							
9	1	124950-01250	WASHER	4							
10	1	114295-01340	GASKET, HEAD 0.5	1							
11	1	114299-01380	O-RING	1							
12	1	114299-01600	PIN, 8X12	2							
13	1	114299-01800	SHIM SET	1							
24	1	114299-01830	COVER	1							
25	1	114250-01841	GASKET	1							
26	1	22312-040080	PIN, PARALLEL M4X 8	2							
27	1	26226-060182	STUD, M6X 18	1							
28	1	26226-060222	STUD, M6X 22	2							
29	1	26366-060002	NUT, M6	3							
31	1	114299-01410	GASKET, CRANK CASE	1							
32	1	114299-01470	COVER(RS),CRANK CASE	1							
35	2	114250-02100	BEARING, MAIN	1							1
37	1	114299-35150	PIPE, OIL INLET	1							
38	1	26106-060252	BOLT, M6X 25 PLATED	14							
39	1	26106-080352	BOLT, M8X 35 PLATED	1							
40	1	114250-02200	BEARING, 0.25 US	1							2
41	1	114250-02210	BEARING, 0.50 US	1							3
43	1	114299-02030	RETAINER, BEARING	1							
44	1	114250-02113	BEARING, HR6306G3C3	1							
45	1	114299-02220	SEAL, OIL	1							
46	1	160210-02220	SEAL, 25X41.2X8	1							
47	1	24101-062050	BEARING, BALL 6205C3	1							
48	1	24162-152112	BEARING, 152112	1							
49	1	26106-080122	BOLT, M8X 12 PLATED	1							

Remarks

- (1) Spare parts.
- (2) Under sized(U.S.=0.25)parts.
- (3) Under sized(U.S.=0.50)parts.

Fig.2. DRAIN PLUG

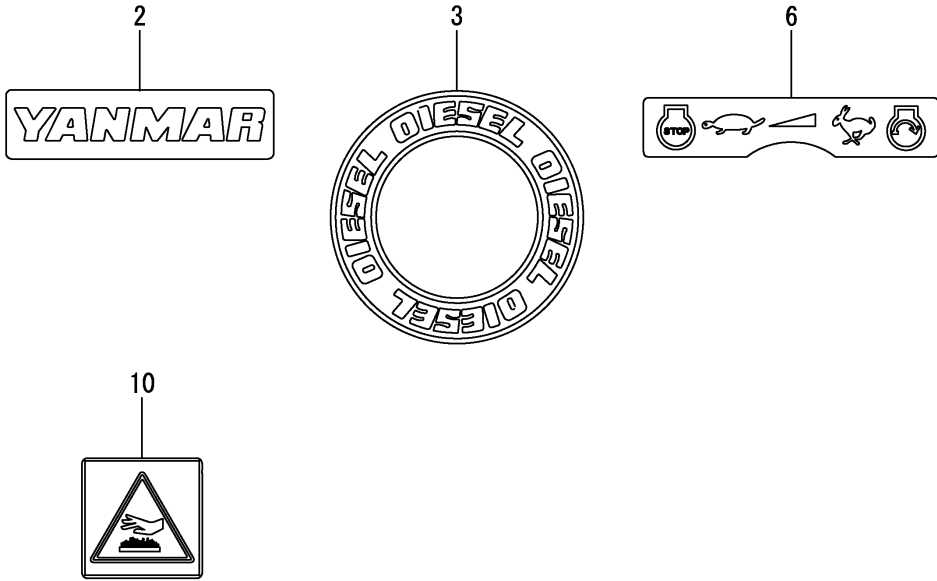


(A)=L48N5SF1F1EARS  
(B)=  
(C)=

(D)=  
(E)=  
(F)=

No.	Lev.	Parts No.	Description	Q'ty						I	R
				(A)	(B)	(C)	(D)	(E)	(F)		
1	1	114299-01690	PLUG M16	2							
2	1	114299-01760	CAP ASSY	2							
4	2	114299-01950	O-RING, 18	2							
5	1	22190-160002	WASHER, SEAL 16	2							
7	1	114399-01700	COVER, STARTER	1							
8	1	26106-100122	BOLT, M10X 12 PLATED	2							

Fig.3. LABEL



(A)=L48N5SF1F1EARS

(B)=

(C)=

(D)=

(E)=

(F)=

No.	Lev.	Parts No.	Description	Q'ty						I	R
				(A)	(B)	(C)	(D)	(E)	(F)		
2	1	114299-07111	LABEL, YANMAR MARK B	1							
3	1	114299-07160	LABEL, DIESEL	1							
6	1	114220-07140	LABEL, CONTROL	1							
10	1	114220-07130	LABEL, HOT SURFACE	1							

Fig.4. CYLINDER HEAD & BONNET

(A)=L48N5SF1F1EARS

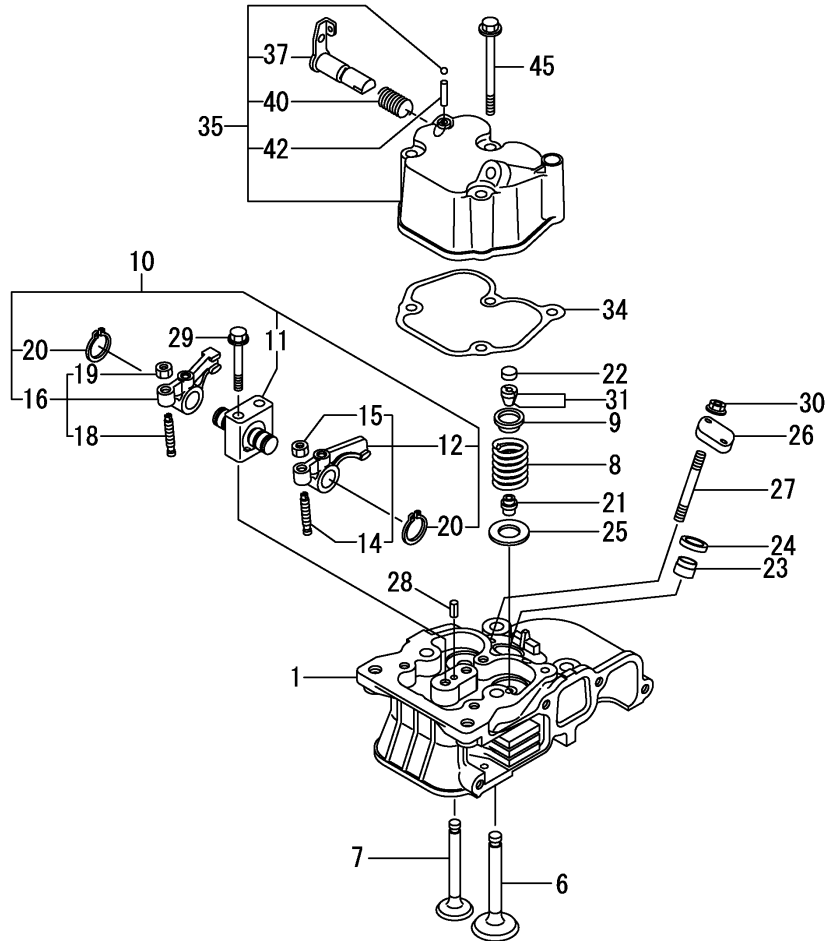
(B)=

(C)=

(D)=

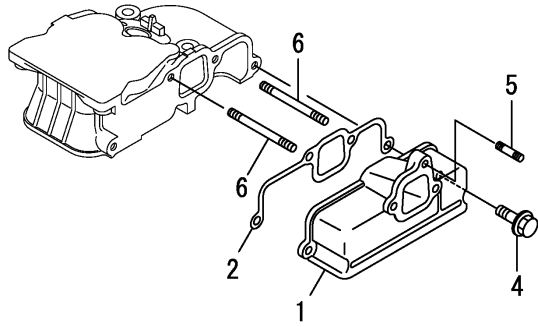
(E)=

(F)=



No.	Lev.	Parts No.	Description	Qty						I	R
				(A)	(B)	(C)	(D)	(E)	(F)		
1	1	11429C-11030	HEAD ASSY, CYLINDER	1							
6	1	11429C-11100	VALVE, INTAKE	1							
7	1	11429C-11110	VALVE, EXHAUST	1							
8	1	114299-11120	SPRING, VALVE	2							
9	1	114250-11180	RETAINER, SPRING	2							
10	1	11429C-11250	SUPPORT ASSY, ARM	1							
11	2	11429C-11260	SUPPORT, ROCKER ARM	1							
12	2	11429C-11650	ARM ASSY, ROCKER	1							
14	3	114250-11240	SCREW, VALVE ADJUST	1							
15	3	26856-060002	NUT, M6	1							
16	2	11429C-11660	ARM ASSY, ROCKER	1							
18	3	114250-11240	SCREW, VALVE ADJUST	1							
19	3	26856-060002	NUT, M6	1							
20	2	22242-000120	RING, 12	2							
21	1	114250-11341	SEAL, VALVE STEM	2							
22	1	119260-11370	CAP, VALVE	2							
23	1	114240-11450	PROTECTOR, NOZZLE	1							
24	1	114240-11550	SEAT, NOZZLE	1							
25	1	114299-11600	WASHER, VALVE SPRING	2							
26	1	114299-11901	RETAINER, NOZZLE	1							
27	1	114110-11910	STUD, M6X65	2							
28	1	22351-040008	PIN, SPRING 4.0X 8	1							
29	1	26106-060452	BOLT, M6X 45 PLATED	2							
30	1	26366-060002	NUT, M6	2							
31	1	27310-055001	COTTER, 5.5	2							
34	1	114771-11310	GASKET, BONNET	1							
35	1	114295-11951	BONNET ASSY, HEAD	1							
37	2	114250-03591	LEVER ASSY	1							
40	2	114299-03640	SPRING, DECOMPRESSION	1							
42	2	22312-030160	PIN, PARALLEL M3X16	1							
45	1	26106-060552	BOLT, M6X 55 PLATED	3							

Fig.5. INTAKE MANIHOLD

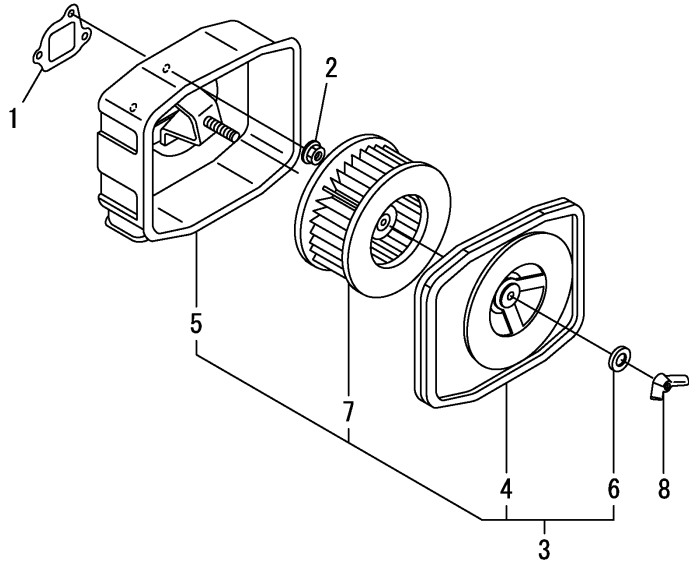


(A)=L48N5SF1F1EARS  
(B)=  
(C)=

(D)=  
(E)=  
(F)=

No.	Lev.	Parts No.	Description	Q'ty						I	R
				(A)	(B)	(C)	(D)	(E)	(F)		
1	1	114771-12010	PIPE, AIR INTAKE	1							
2	1	114771-12200	GASKET	1							
4	1	26106-060252	BOLT, M6X 25 PLATED	2							
5	1	26226-060142	STUD, M6X 14	1							
6	1	26226-060602	STUD, M6X 60	2							

Fig.6. AIR CLEANER

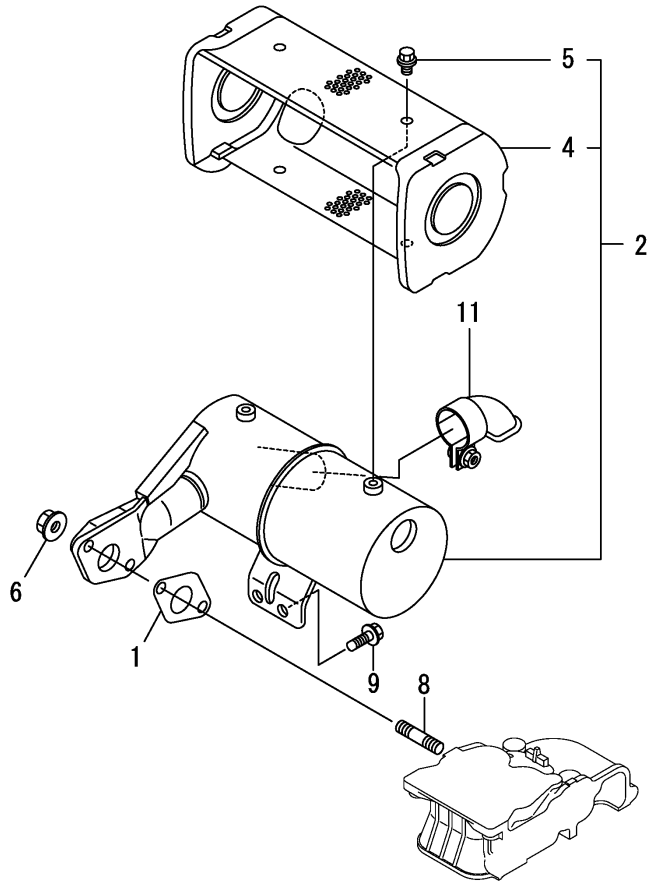


(A)=L48N5SF1F1EARS  
(B)=  
(C)=

(D)=  
(E)=  
(F)=

No.	Lev.	Parts No.	Description	Q'ty						I	R
				(A)	(B)	(C)	(D)	(E)	(F)		
1	1	114299-12210	GASKET, AIR CLEANER	1							
2	1	114299-12300	NUT	3							
3	1	114120-12550	CLEANER ASSY, AIR	1							
4	2	114250-12520	COVER, AIR CREANER	1							
5	2	114250-12530	CASE ASSY, CLEANER	1							
6	2	114250-12560	WASHER, SEAL M6	1							
7	2	114250-12581	ELEMENT	1							
8	1	114250-12550	NUT, WING M6	1							

Fig.7. EXHAUST MUFFLER

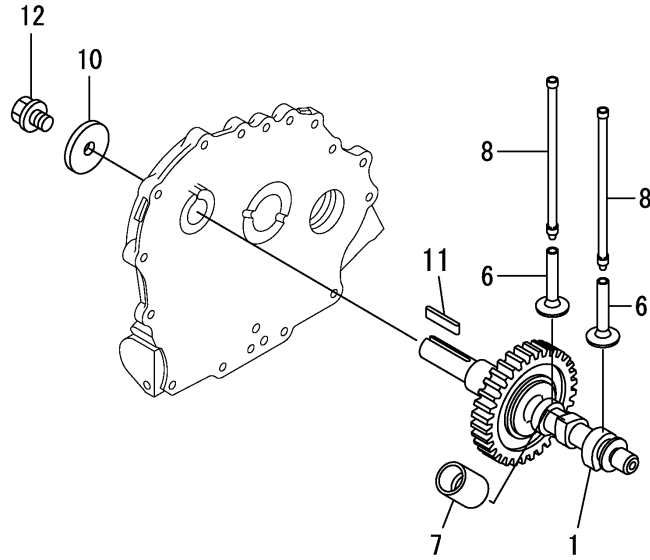


(A)=L48N5SF1F1EARS  
(B)=  
(C)=

(D)=  
(E)=  
(F)=

No.	Lev.	Parts No.	Description	Q'ty						I	R
				(A)	(B)	(C)	(D)	(E)	(F)		
1	1	114299-13200	GASKET, MUFFLER	1							
2	1	11429C-13500	MUFFLER ASSY	1							
4	2	11429C-13700	COVER	1							
5	2	11431C-13720	BOLT, M6	4							
6	1	26106-060142	BOLT, M6X 14 PLATED	2							
8	1	26216-080182	STUD, M8X 18	2							
9	1	26306-080002	NUT, M8	2							
11	1	114299-13800	EXTENSION ASSY	1							

Fig.8. CAMSHAFT



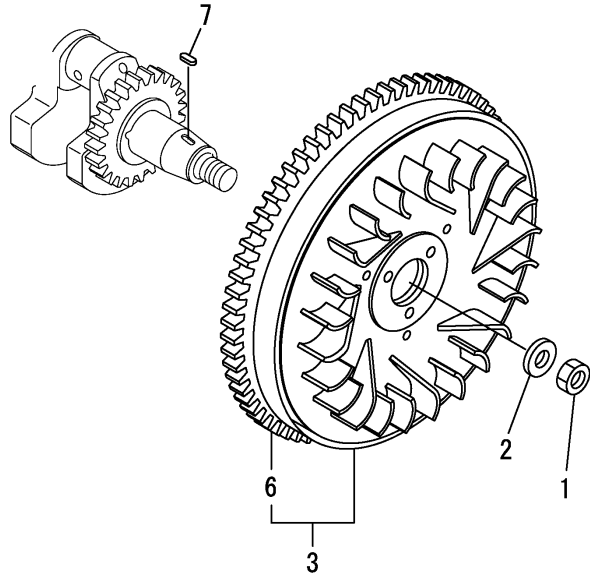
(A)=L48N5SF1F1EARS  
(B)=  
(C)=

(D)=  
(E)=  
(F)=

No.	Lev.	Parts No.	Description	Q'ty						I	R
				(A)	(B)	(C)	(D)	(E)	(F)		
1	1	11429C-14590	CAMSHAFT ASSY,RS	1							
6	1	114299-14200	TAPPET	2							
7	1	114771-14260	TAPPET	1							
8	1	114250-14451	ROD ASSY, PUSH	2							
10	1	160310-14550	WASHER	1							
11	1	22512-050300	KEY, 5X 30	1							
12	1	26106-080202	BOLT, M8X 20 PLATED	1							



Fig.10. FLYWHEEL

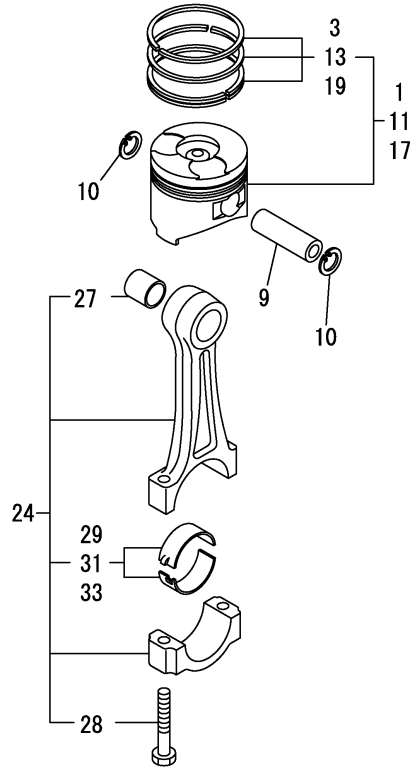


(A)=L48N5SF1F1EARS  
(B)=  
(C)=

(D)=  
(E)=  
(F)=

No.	Lev.	Parts No.	Description	Q'ty						I	R
				(A)	(B)	(C)	(D)	(E)	(F)		
1	1	114299-21220	NUT	1							
2	1	114299-21550	WASHER	1							
3	1	114299-21590	FLYWHEEL ASSY	1							
6	2	114299-21600	GEAR, RING	1							
7	1	22512-040120	KEY, 4X 12	1							

Fig.11. PISTON & CONNECTING ROD

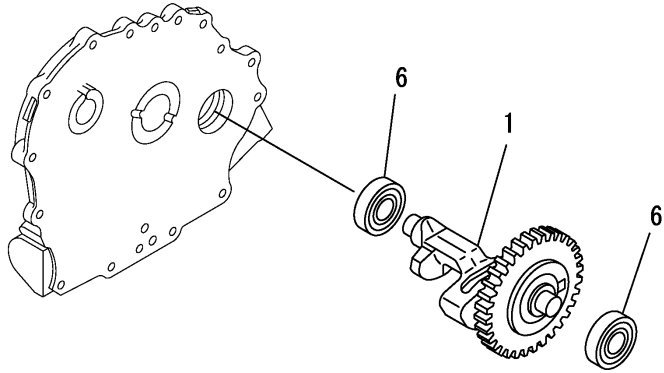


No.	Lev.	Parts No.	Description	Q'ty						I	R
				(A)	(B)	(C)	(D)	(E)	(F)		
1	1	714120-22720	PISTON W/RINGS (D)	1							
3	2	714295-22500	RING SET, PISTON	1							
9	1	114299-22300	PIN, PISTON D=19	1							
10	1	22252-000190	RING, 19	2							
11	1	714120-22630	PISTON ASSY, 0.25 OS	1							1
13	2	714295-22560	RING SET, 0.25 OS	1							1
17	1	714120-22590	PISTON ASSY, 0.50 OS	1							2
19	2	714295-22570	RING SET, 0.50 OS	1							2
24	1	71429C-23010	ROD ASSY, CONNECTING	1							
27	3	114770-23100	BEARING, PISTON PIN	1							
28	3	114110-23200	BOLT, CONNECTING ROD	2							
29	2	714770-23600	BEARING, CRANK PIN	1							
31	1	714770-23610	BEARING ASSY, 0.25	1							3
33	1	714770-23620	BEARING, 0.50 US	1							4

Remarks

- (1)Over size(O.S.=0.25)parts.
- (2)Over size(O.S.=0.50)parts.
- (3)Under size(U.S.=0.25)parts.
- (4)Under size(U.S.=0.50)parts.

Fig.12. BALANCER SHAFT

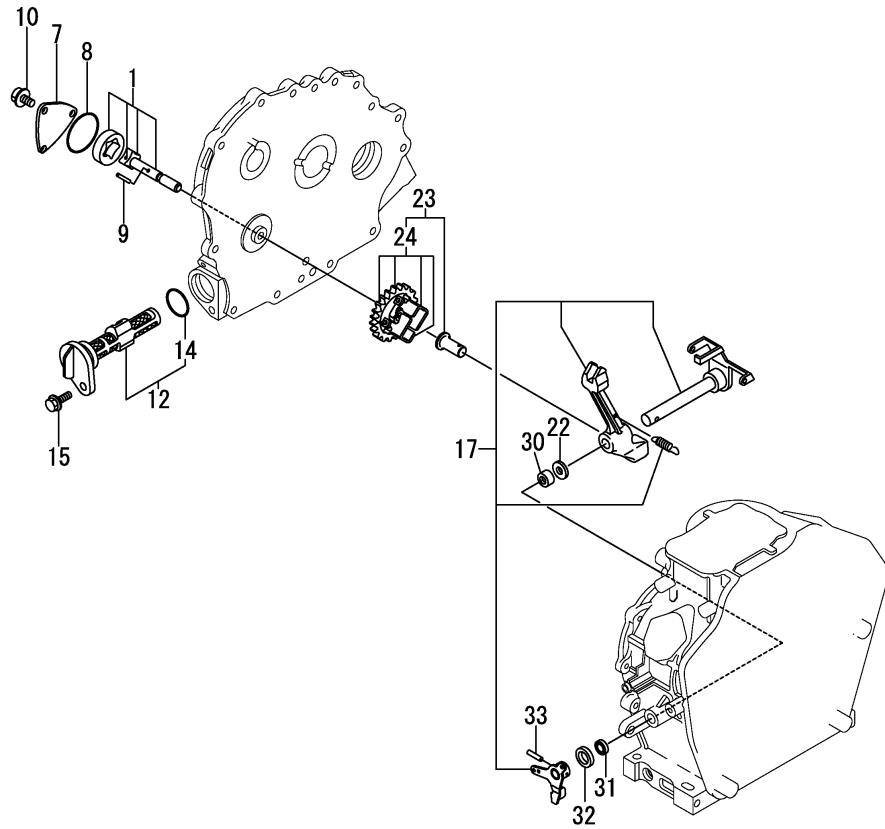


(A)=L48N5SF1F1EARS  
(B)=  
(C)=

(D)=  
(E)=  
(F)=

No.	Lev.	Parts No.	Description	Q'ty						I	R
				(A)	(B)	(C)	(D)	(E)	(F)		
1	1	714770-28531	SHAFT ASSY, BALANCER	1							
6	1	24101-062020	BEARING, BALL 6202C3	2							

Fig.13. LUB.OIL PUMP & GOVERNOR



(A)=L48N5SF1F1EARS

(B)=

(C)=

(D)=

(E)=

(F)=

No.	Lev.	Parts No.	Description	Q'ty						I	R
				(A)	(B)	(C)	(D)	(E)	(F)		
1	1	114250-32010	PUMP ASSY, OIL	1							
7	1	114299-32070	COVER	1							
8	1	114299-32570	O-RING	1							
9	1	22312-030160	PIN, PARALLEL M3X16	1							
10	1	26106-060122	BOLT, M6X 12 PLATED	3							
12	1	114299-35110	FILTER ASSY, OIL	1							
14	2	24341-000224	O-RING, 1AS22.4	1							
15	1	26106-060162	BOLT, M6X 16 PLATED	1							
17	1	114295-61170	LEVER ASSY, GOVERNOR	1							1
22	1	114299-61190	WASHER	1							
23	1	114299-61700	GOVERNOR ASSY	1							
24	2	114299-61210	WEIGHT ASSY,GOVERNOR	1							
30	1	114770-61520	BEARING, NEEDLE	2							
31	1	114299-61600	SEAL, OIL	1							
32	1	114770-61610	WASHER, THRUST	1							
33	1	22322-030200	PIN, TAPER 3X20	1							

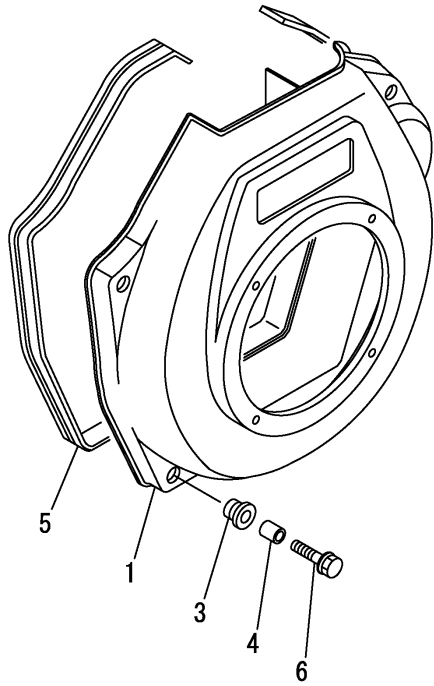
Remarks

(1)On a guarantee of quality component parts shall not be sold.





Fig.16. COOLING FAN CASE

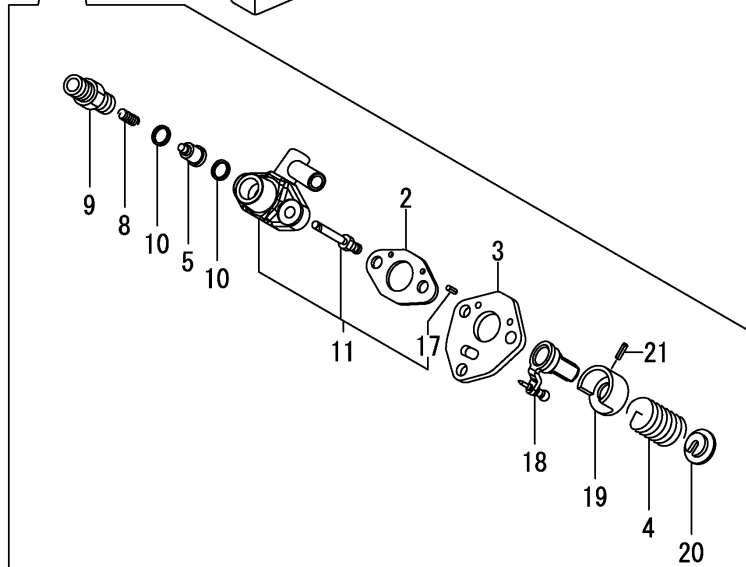
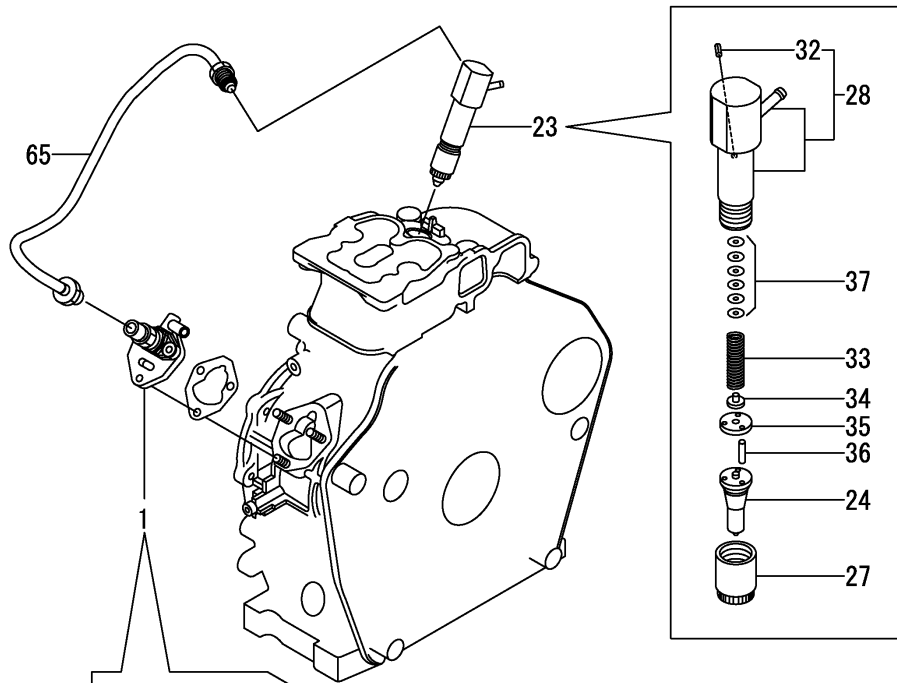


(A)=L48N5SF1F1EARS  
(B)=  
(C)=

(D)=  
(E)=  
(F)=

No.	Lev.	Parts No.	Description	Q'ty						I	R
				(A)	(B)	(C)	(D)	(E)	(F)		
1	1	114295-45150	CASE, COOLING FAN	1							
3	1	114299-45301	RUBBER, CUSHION	4							
4	1	114299-45310	COLLAR	4							
5	1	114120-45330	SEAL, FAN CASE	1							
6	1	114299-45350	BOLT, FAN CASE	4							

Fig.17. F.I.PUMP & F.I.VALVE



(A)=L48N5SF1F1EARS

(B)=

(C)=

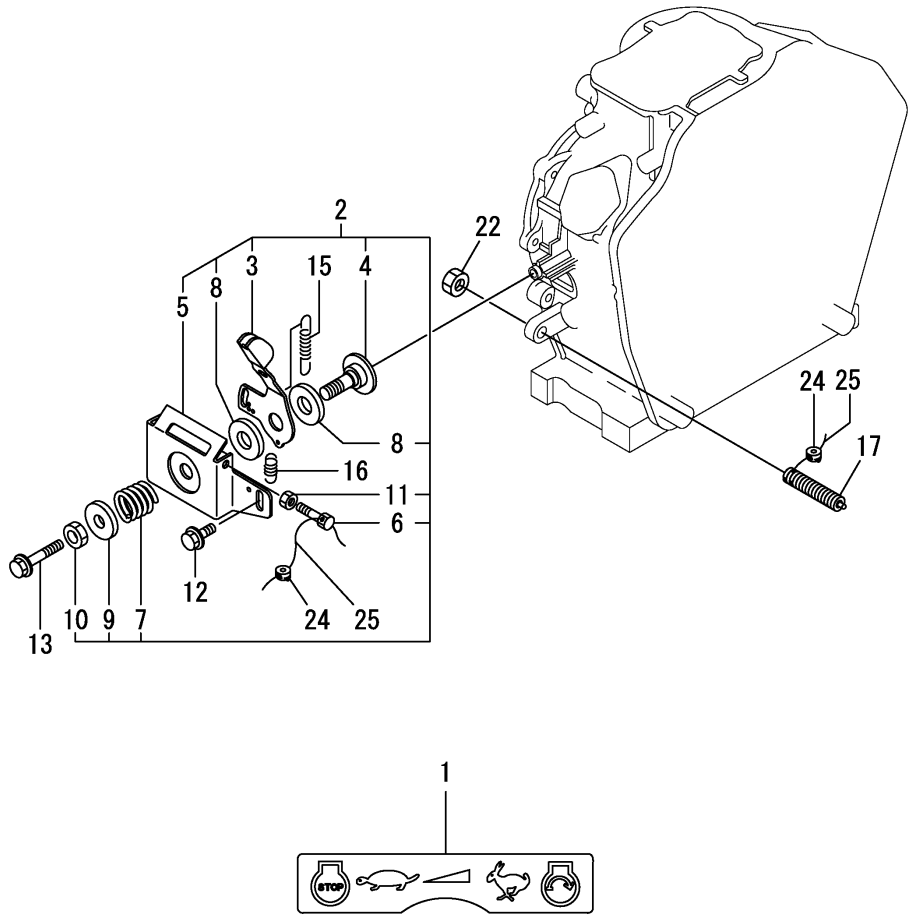
(D)=

(E)=

(F)=

No.	Lev.	Parts No.	Description	Q'ty						I	R
				(A)	(B)	(C)	(D)	(E)	(F)		
1	1	714139-51210	F.I.PUMP ASSY	1							
2	2	105546-51020	GASKET	1							
3	2	114250-51080	PLATE	1							
4	2	114250-51160	SPRING, PLUNGER	1							
5	2	114250-51300	VALVE ASSY, DELIVERY	1							
8	2	105546-51330	SPRING, DELIVERY	1							
9	2	114250-51340	HOLDER, DELIVERY	1							
10	2	124550-51350	GASKET, DELIVERY	2							
11	2	114350-51200	BODY ASSY, PUMP	1							
17	4	22351-020006	PIN, SPRING 2.0X 6	2							
18	2	114250-51500	LEVER, CONTROL	1							
19	2	114250-51640	SEAT, SPRING A	1							
20	2	114250-51650	SEAT, SPRING B	1							
21	2	22351-030008	PIN, SPRING 3.0X 8	1							
23	1	714139-53200	VALVE ASSY, INJECTION	1							
24	2	114139-53200	NOZZLE ASSY	1							
27	2	114250-53080	NUT, NOZZLE D16.95	1							
28	2	114139-53100	HOLDER ASSY, NOZZLE	1							
32	3	22351-025005	PIN, SPRING 2.5X 6	1							
33	2	114250-53120	SPRING, NOZZLE	1							
34	2	114250-53130	SEAT, SPRING	1							
35	2	114250-53140	PLATE	1							
36	2	114250-53210	PIN	2							
37	2	119803-53400	SHIM SET	1							
65	1	114120-59800	PIPE ASSY, INJECTION	1							

Fig.18. SPEED CONTROL DEVICE



(A)=L48N5SF1F1EARS

(B)=

(C)=

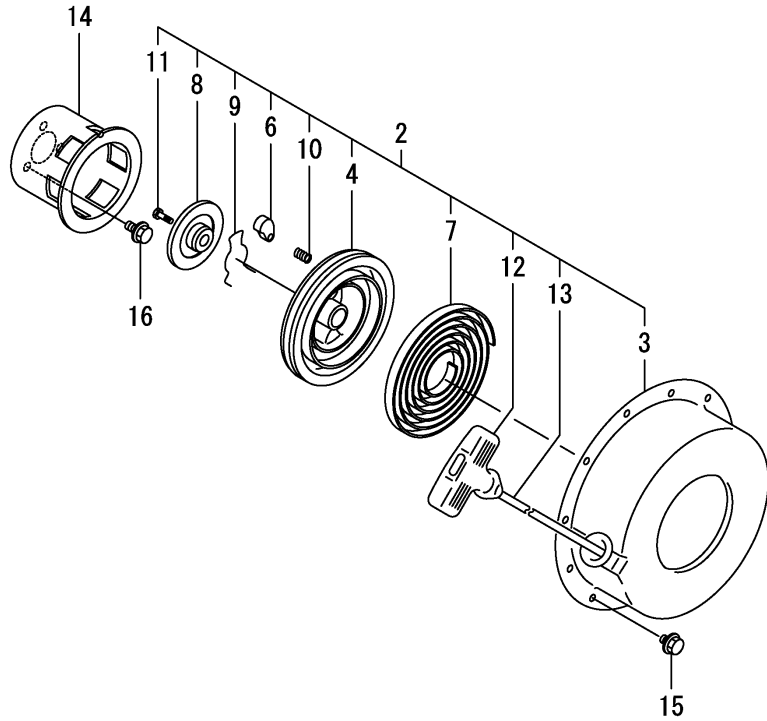
(D)=

(E)=

(F)=

No.	Lev.	Parts No.	Description	Q'ty						I	R
				(A)	(B)	(C)	(D)	(E)	(F)		
1	1	114220-07140	LABEL, CONTROL	1							
2	1	114210-66550	BRACKET ASSY	1							
3	2	114210-66070	HANDLE, REGULATOR	1							
4	2	183250-66070	SHAFT, HANDLE	1							
5	2	114210-66400	BRACKET, HANDLE	1							
6	2	114250-66440	BOLT, ADJUSTING	1							
7	2	104200-66820	SPRING	1							
8	2	104200-66831	PLATE, FRICTION	2							
9	2	104200-66850	WASHER	1							
10	2	26696-100002	NUT, LOCK M10	1							
11	2	26757-060002	NUT, LOCK M6	1							
12	1	26106-060142	BOLT, M6X 14 PLATED	1							
13	1	26106-060452	BOLT, M6X 45 PLATED	1							
15	1	114770-66010	SPRING, REGULATOR	1							
16	1	114299-66201	SPRING, RETURN	1							
17	1	114211-66600	LIMITER ASSY, FUEL	1							
22	1	26776-100002	NUT, LOCK M10	1							
24	1	114780-61090	TIN	2							
25	1	22451-060000	WIRE, 0.6	2							

Fig.19. RECOIL STARTER



(A)=L48N5SF1F1EARS

(B)=

(C)=

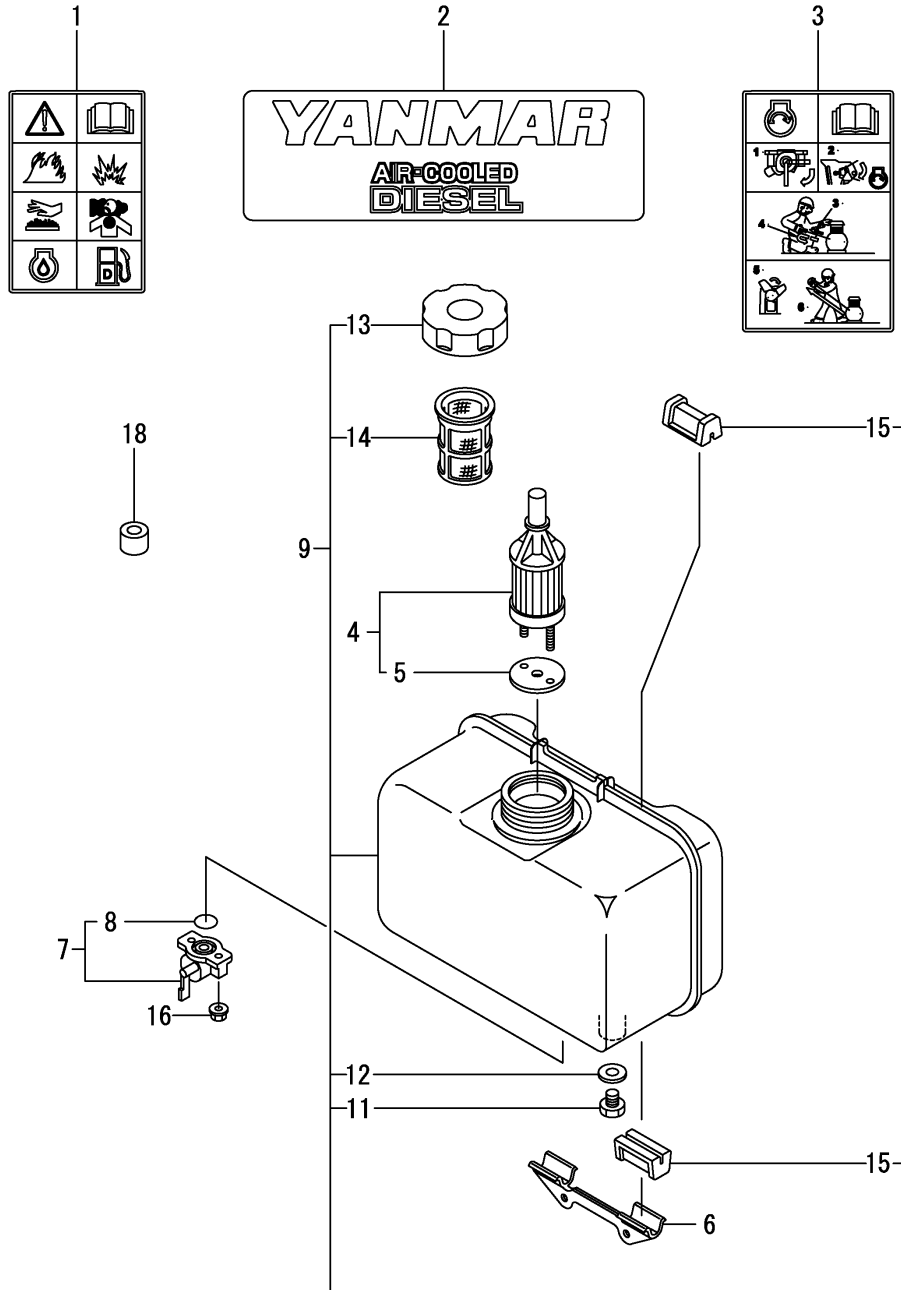
(D)=

(E)=

(F)=

No.	Lev.	Parts No.	Description	Q'ty						I	R
				(A)	(B)	(C)	(D)	(E)	(F)		
2	2	114299-76250	STARTER ASSY, RECOIL	1							
3	3	114299-76500	CASE, STARTER	1							
4	3	114299-76521	REEL	1							
6	3	114399-76531	RATCHET	1							
7	3	114399-76540	SPRING, SPIRAL	1							
8	3	114399-76550	COVER	1							
9	3	114399-76560	SPRING	1							
10	3	114399-76570	SPRING, RETURN	1							
11	3	114399-76580	SCREW	1							
12	3	114399-76620	KNOB, STARTER	1							
13	3	114299-76630	ROPE, STARTER	1							
14	2	114299-76590	PULLEY, STARTER	1							
15	1	26106-060082	BOLT, M6X 8 PLATED	4							
16	1	26106-060122	BOLT, M6X 12 PLATED	3							

Fig.20. ACCESSORIES



(A)=L48N5SF1F1EARS

(B)=

(C)=

(D)=

(E)=

(F)=

No.	Lev.	Parts No.	Description	Q'ty						I	R
				(A)	(B)	(C)	(D)	(E)	(F)		
1	1	114220-07100	LABEL, CAUTION	1							
2	1	114299-07101	LABEL, YANMAR MARK A	1							
3	1	114220-07110	LABEL HOW TO START-E	1							
4	1	114250-55121	FILTER ASSY, FUEL	1							
5	2	114250-55130	GASKET	1							
6	1	114299-55210	STAY, FUEL TANK	1							
7	1	114250-55301	COCK ASSY, FUEL	1							
8	2	24341-000150	O-RING, 1AS15.0	1							
9	1	11431C-55710	TANK,FUEL(BLACK)(13)	1							
11	2	114299-55080	PLUG, DRAIN	1							
12	2	23414-080000	GASKET, 8X1.0	1							
13	2	114299-55040	CAP ASSY, FUEL TANK	1							
14	2	114299-55100	FILTER, FUEL OIL	1							
15	2	114250-55201	DAMPER, FUEL TANK	4							
16	1	26366-060002	NUT, M6	2							
18	1	114299-59850	ORIFICE	1							

Fig.21. TOOL & GASKET SET

(A)=L48N5SF1F1EARS

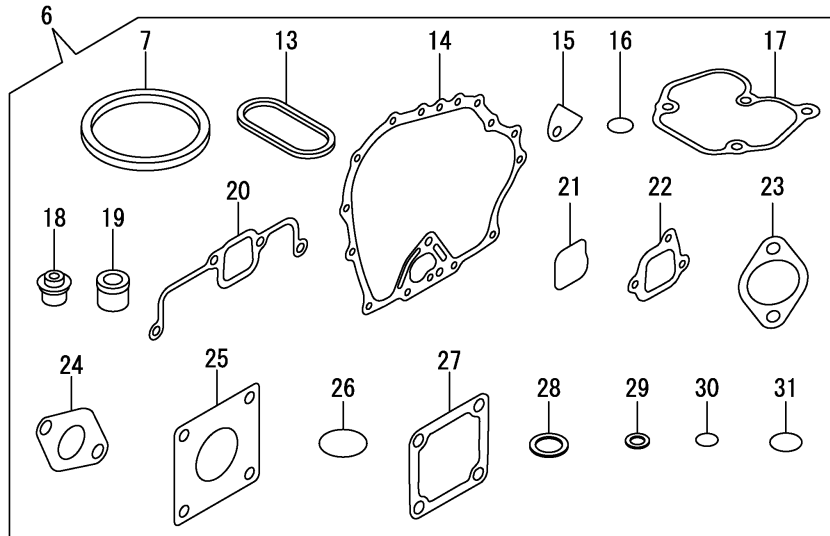
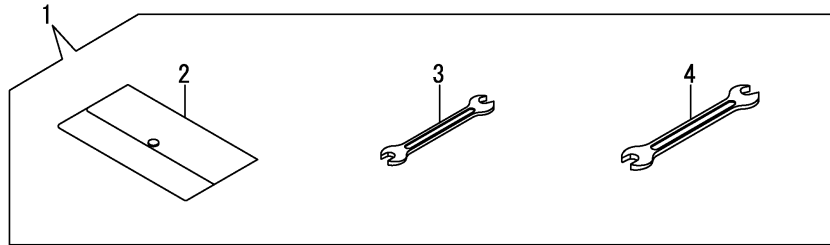
(B)=

(C)=

(D)=

(E)=

(F)=



No.	Lev.	Parts No.	Description	Q'ty						I	R
				(A)	(B)	(C)	(D)	(E)	(F)		
1	1	114299-92590	BOX, TOOL	1							
2	2	114299-92600	BAG, TOOL	1							
3	2	114299-92710	WRENCH	1							
4	2	114299-92720	WRENCH	1							
6	1	114120-92600	GASKET SET	1							1
7	2	114295-01330	GASKET, HEAD	1							
13	2	114299-01380	O-RING	1							
14	2	114299-01410	GASKET, CRANK CASE	1							
15	2	114250-01841	GASKET	1							
16	2	114299-01950	O-RING, 18	2							
17	2	114771-11310	GASKET, BONNET	1							
18	2	114250-11341	SEAL, VALVE STEM	2							
19	2	114771-11461	GASKET, NOZZLE	1							
20	2	114771-12200	GASKET	1							
21	2	114288-12210	O-RING	1							
22	2	114299-12210	GASKET, AIR CLEANER	2							
23	2	114299-12920	GASKET, AIR CLEANER	1							
24	2	114299-13200	GASKET, MUFFLER	1							
25	2	114299-21980	GASKET	1							
26	2	114299-32570	O-RING	1							
27	2	129100-77510	GASKET	3							
28	2	22190-160002	WASHER, SEAL 16	2							
29	2	23414-080000	GASKET, 8X1.0	1							
30	2	24341-000150	O-RING, 1AS15.0	1							
31	2	24341-000224	O-RING, 1AS22.4	1							

Remarks

(1)Optional parts.

## Parts No. Index

Parts No.	Fig. No.	Ref. No.
104200-66820	18	7
104200-66831	18	8
104200-66850	18	9
105546-51020	17	2
105546-51330	17	8
114110-11910	4	27
114110-23200	11	28
114120-12550	6	3
114120-45330	16	5
114120-59800	17	65
114120-92600	21	6
114139-53100	17	28
114139-53200	17	24
114210-66070	18	3
114210-66400	18	5
114210-66550	18	2
114211-66600	18	17
114220-07100	20	1
114220-07110	20	3
114220-07130	3	10
114220-07140	3	6
	18	1
114240-11450	4	23
114240-11550	4	24
114250-01841	1	25
	21	15
114250-02100	1	35
114250-02113	1	44
114250-02200	1	40
114250-02210	1	41
114250-03591	4	37
114250-11180	4	9
114250-11240	4	14
		18
114250-11341	4	21
	21	18
114250-12520	6	4
114250-12530	6	5
114250-12550	6	8
114250-12560	6	6
114250-12581	6	7
114250-14451	8	8
114250-32010	13	1
114250-51080	17	3
114250-51160	17	4
114250-51300	17	5
114250-51340	17	9
114250-51500	17	18
114250-51640	17	19
114250-51650	17	20

Parts No.	Fig. No.	Ref. No.
114250-53080	17	27
114250-53120	17	33
114250-53130	17	34
114250-53140	17	35
114250-53210	17	36
114250-55121	20	4
114250-55130	20	5
114250-55201	20	15
114250-55301	20	7
114250-66440	18	6
114288-12210	21	21
114295-01330	21	7
114295-01340	1	10
114295-11951	4	35
114295-45150	16	1
114295-61170	13	17
114299-01200	1	5
114299-01210	1	6
114299-01220	1	7
114299-01230	1	8
114299-01380	1	11
	21	13
114299-01410	1	31
	21	14
114299-01470	1	32
114299-01600	1	12
114299-01690	2	1
114299-01760	2	2
114299-01800	1	13
114299-01830	1	24
114299-01950	2	4
	21	16
114299-02030	1	43
114299-02220	1	45
114299-03640	4	40
114299-07101	20	2
114299-07111	3	2
114299-07160	3	3
114299-11120	4	8
114299-11600	4	25
114299-11901	4	26
114299-12210	6	1
	21	22
114299-12300	6	2
114299-12920	21	23
114299-13200	7	1
	21	24
114299-13800	7	11
114299-14200	8	6
114299-21220	10	1

Parts No.	Fig. No.	Ref. No.
114299-21550	10	2
114299-21590	10	3
114299-21600	10	6
114299-21980	21	25
114299-22300	11	9
114299-32070	13	7
114299-32570	13	8
	21	26
114299-35110	13	12
114299-35150	1	37
114299-45210	15	1
114299-45301	16	3
114299-45310	16	4
114299-45350	16	6
114299-55040	20	13
114299-55080	20	11
114299-55100	20	14
114299-55210	20	6
114299-59850	20	18
114299-61190	13	22
114299-61210	13	24
114299-61600	13	31
114299-61700	13	23
114299-66201	18	16
114299-76250	19	2
114299-76500	19	3
114299-76521	19	4
114299-76590	19	14
114299-76600	15	4
114299-76610	15	5
114299-76630	19	13
114299-92590	21	1
114299-92600	21	2
114299-92710	21	3
114299-92720	21	4
11429C-01020	1	1
11429C-11030	4	1
11429C-11100	4	6
11429C-11110	4	7
11429C-11250	4	10
11429C-11260	4	11
11429C-11650	4	12
11429C-11660	4	16
11429C-13500	7	2
11429C-13700	7	4
11429C-14590	8	1
11431C-13720	7	5
11431C-55710	20	9
114350-51200	17	11
114399-01700	2	7

Parts No.	Fig. No.	Ref. No.
114399-76531	19	6
114399-76540	19	7
114399-76550	19	8
114399-76560	19	9
114399-76570	19	10
114399-76580	19	11
114399-76620	19	12
114770-23100	11	27
114770-61520	13	30
114770-61610	13	32
114770-66010	18	15
114771-11310	4	34
	21	17
114771-11461	21	19
114771-12010	5	1
114771-12200	5	2
	21	20
114771-14260	8	7
114771-21700	9	1
114780-61090	18	24
119260-11370	4	22
119803-53400	17	37
124550-51350	17	10
124950-01250	1	9
129100-77510	21	27
160210-02220	1	46
160310-14550	8	10
183250-66070	18	4
22190-160002	2	5
	21	28
22242-000120	4	20
22252-000190	11	10
22312-030160	4	42
	13	9
22312-040080	1	26
22322-030200	13	33
22351-020006	17	17
22351-025005	17	32
22351-030008	17	21
22351-040008	4	28
22451-060000	18	25
22512-040120	10	7
22512-050300	8	11
23414-080000	20	12
	21	29
23876-010000	14	1
24101-062020	12	6
24101-062050	1	47
24162-152112	1	48
24341-000150	20	8

## Parts No. Index

Parts No.	Fig. No.	Ref. No.
24341-000150	21	30
24341-000224	13	14
	21	31
26106-060082	19	15
26106-060122	13	10
	15	2
	19	16
26106-060142	7	6
	18	12
26106-060162	13	15
26106-060252	1	38
	5	4
26106-060452	4	29
	18	13
26106-060552	4	45
26106-080122	1	49
26106-080202	8	12
26106-080352	1	39
26106-100122	2	8
26216-080182	7	8
26226-060142	5	5
26226-060182	1	27
26226-060222	1	28
26226-060602	5	6
26306-080002	7	9
26366-060002	1	29
	4	30
	20	16
26696-100002	18	10
26757-060002	18	11
26776-100002	18	22
26856-060002	4	15
		19
27310-055001	4	31
714120-22590	11	17
714120-22630	11	11
714120-22720	11	1
714139-51210	17	1
714139-53200	17	23
714295-22500	11	3
714295-22560	11	13
714295-22570	11	19
71429C-23010	11	24
714770-23600	11	29
714770-23610	11	31
714770-23620	11	33
714770-28531	12	1

Parts No.	Fig. No.	Ref. No.
-----------	----------	----------

Parts No.	Fig. No.	Ref. No.
-----------	----------	----------

Parts No.	Fig. No.	Ref. No.
-----------	----------	----------